

Water Heater BLDC Blower

Features

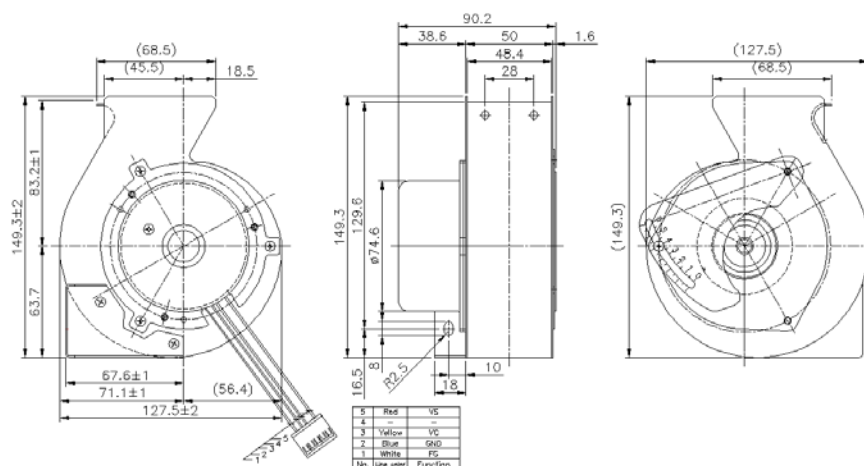
- High Speed Low Noise
- Minimal Temperature Rise
- High Flow
- Integrated Motor Driver

Application

- Water Heater Blower



Dimensions



【Above dimensions & below data are for your ref only. For detailed info or customized requirements, you are very welcome to inquire.】

Model No.	Rated Voltage [V]	No-Load Speed [R.P.M]	No-Load Current [A]	Rated Speed [R.P.M.]	Rated Current [A]
ABL014	DC36V	5300	1.0	5000	1.2
Model No.	Output [Watt]	Rotating Direction [CW / CCW]	Max-Efficiency [%]	Dimensions [mm]	Weight [g]
ABL014	40	CCW	70	150*90	975