

# Hi Voltage Integrated BLDC Blower

## Features

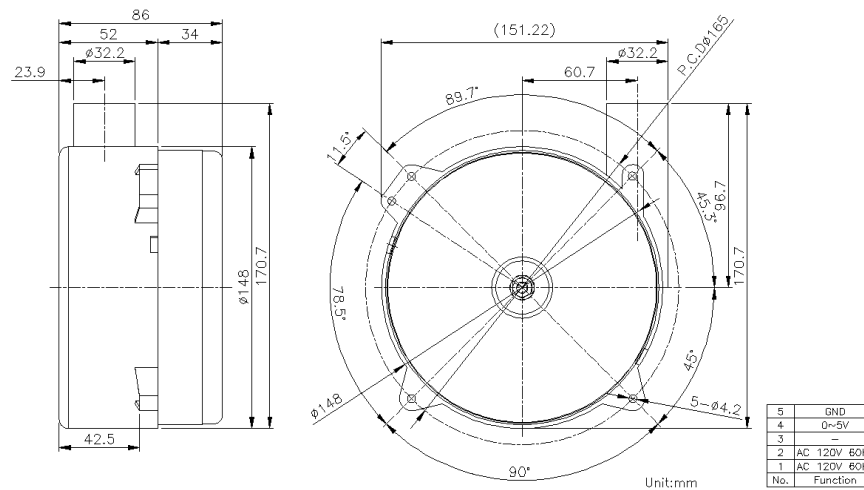
- AC Voltage Input
- Minimal Temperature Rise
- High Pressure High Flow
- Integrated Motor Driver
- Outer Rotor
- Customizations Available

## Application

- Respiration
- Air Bed
- Air Vest
- Fuel Cell Blower



## Dimensions



【Above dimensions & below data are for your ref only. For detailed info or customized requirements, you are very welcome to inquire.】

Model No.	Rated Voltage [ V ]	No-Load Speed [ r/min ]	No-Load Current [ A ]	Rated Speed [R.P.M.]	Rated Current [ A ]
ABL013	AC115V	12000	1.1	10500	1.3
Model No.	Output [ Watt ]	Rotating Direction [ CW / CCW ]	Pressure Maximum (Sealed Pressure) [ CmH2O ]	Flow Rate Maximum ( Open Flow ) [ LPM ]	Weight [ g ]
ABL013	250	CCW	85	1300	1720