

CPAP BLDC Blower

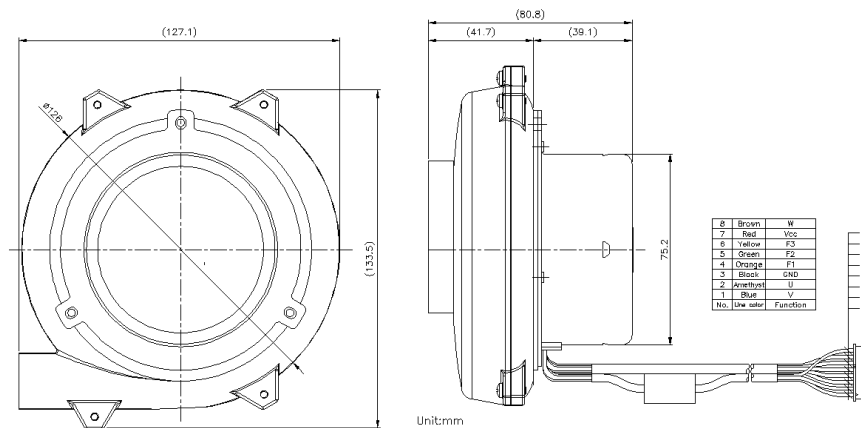
Features

- High Speed Low Noise
- Minimal Temperature Rise
- High Pressure
- Hall Effect Sensors
- External Motor Driver
- Customizations Available

Application

- CPAP Blower
- Respiration
- Air Bed
- Air Vest
- Fuel Cell Blower

Dimensions



【Above dimensions & below data are for your ref only. For detailed info or customized requirements, you are very welcome to inquire.】

Model No.	Rated Voltage [V]	No-Load Speed [r/min]	No-Load Current [mA]	Rated Speed [R.P.M.]	Rated Current [A]
ABL011	DC24V	12500	800	11300	1.2
Model No.	Output [Watt]	Rotating Direction [CW / CCW]	Pressure Maximum (Sealed Pressure) [CmH2O]	Flow Rate Maximum (Open Flow) [LPM]	Weight [g]
ABL011	48	CCW	30	650	660