

# 90 Hi Power BLDC Motor

## Features

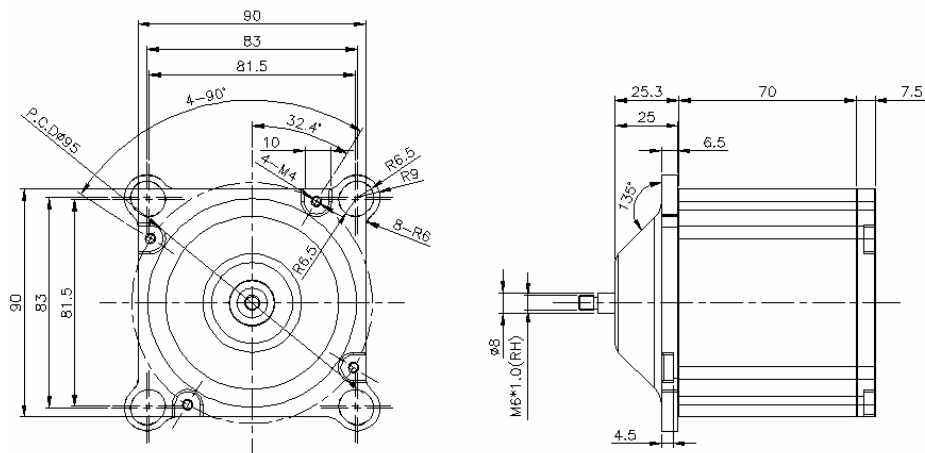
- High Torque Low Noise
- Minimal Temperature Rise
- High Efficiency
- Hall Effect Sensors
- Customizations Available

## Application

- Industrial / Gear Motor
- Factory Automation
- Juicer Motor



## Dimensions



*【Above dimensions & below data are for your ref only. For detailed info or customized requirements, you are very welcome to inquire.】*

Model No.	Rated Voltage [ V ]	No-Load Speed [ r/min ]	No-Load Current [ A ]	Rated Torque [ kg-cm ]	Rated Speed [R.P.M.]	Rated Current [ A ]
ABL016	AC 220	14500	1.9	4.5	13000	3
Model No.	Torque Constant [ kg-cm/A ]	Max-Efficiency [ % ]	Output [ Watt ]	Number of Pole/Pair	Dimensions [ mm ]	Weight [ kg ]
ABL016	1.5	85	600	4	90*90*95	1.90