

61 Integrated BLDC Motor

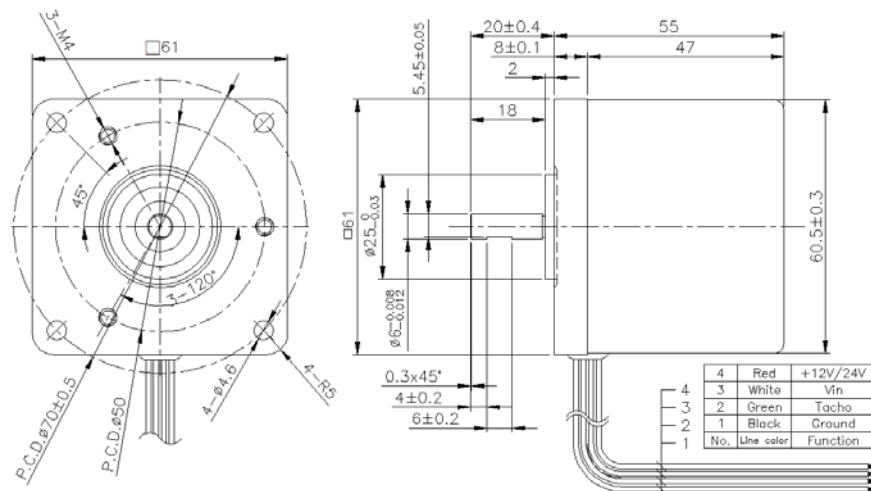
Features

- High Torque Low Noise
- Minimal Temperature Rise
- Integrated Motor Drive
- Hall Effect Sensors
- Outer Rotor
- Customizations Available

Application

- Medical Devices
- Fuel Cell Pump
- Pump / Compressor
- Industrial / Gear Motor
- Factory Automation

Dimensions



【Above dimensions & below data are for your ref only. For detailed info or customized requirements, you are very welcome to inquire.】

Model No.	Rated Voltage [V]	No-Load Speed [r/min]	No-Load Current [mA]	Rated Torque [g-cm]	Rated Speed [R.P.M.]	Rated Current [A]
ABL004	DC24V	4700	300	750	4200	1.8
ABL005	DV12V	2500	250	300	2200	0.7
Model No.	Torque Constant [g-cm/A]	Max-Efficiency [%]	Output [Watt]	Number of Pole/Pair	Dimensions [mm]	Weight [g]
ABL004	370	80	30	4	60	445
ABL005	350	75	17	4	60	445