

42 Integrated BLDC Motor

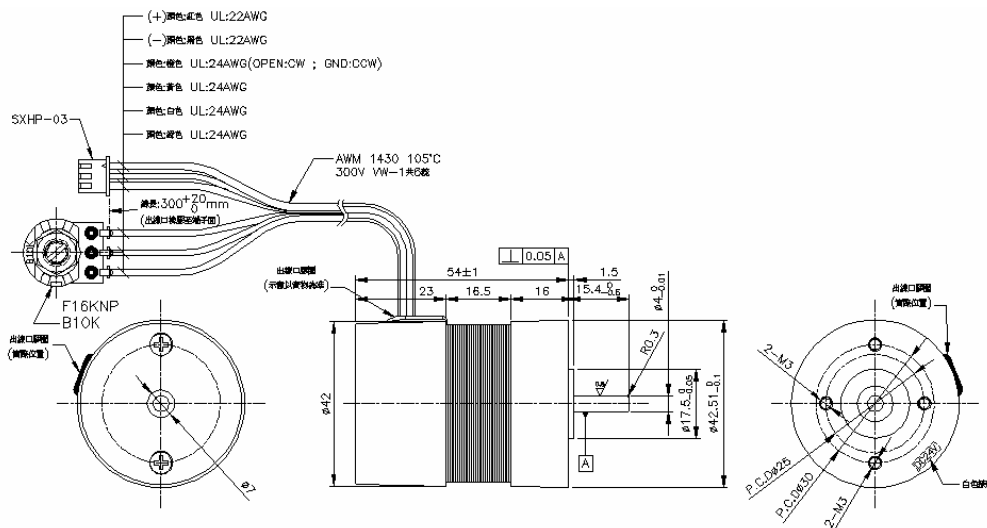
Features

- Small size High Torque Low Noise
- Minimal Temperature Rise
- Integrated Motor Driver
- Hall Effect Sensors
- Inner Rotor
- Customizations Available

Application

- Medical Devices
- Suction Pump
- Pump / Compressor
- Industrial / Gear motor
- Factory Automation

Dimensions



【Above dimensions & below data are for your ref only. For detailed info or customized requirements, you are very welcome to inquire.】

Model No.	Rated Voltage [V]	No-Load Speed [r/min]	No-Load Current [A]	Rated Torque [g-cm]	Rated Speed [R.P.M.]	Rated Current [A]
ABL015	24	5000	0.25	370	4400	0.95
Model No.	Torque Constant [g-cm/A]	Max-Efficiency [%]	Output [Watt]	Number of Pole/Pair	Dimensions [mm]	Weight [g]
ABL015	400	74	17	2	φ 42*55	240