

# 120 Integrated Fuel Cell BLDC Blower

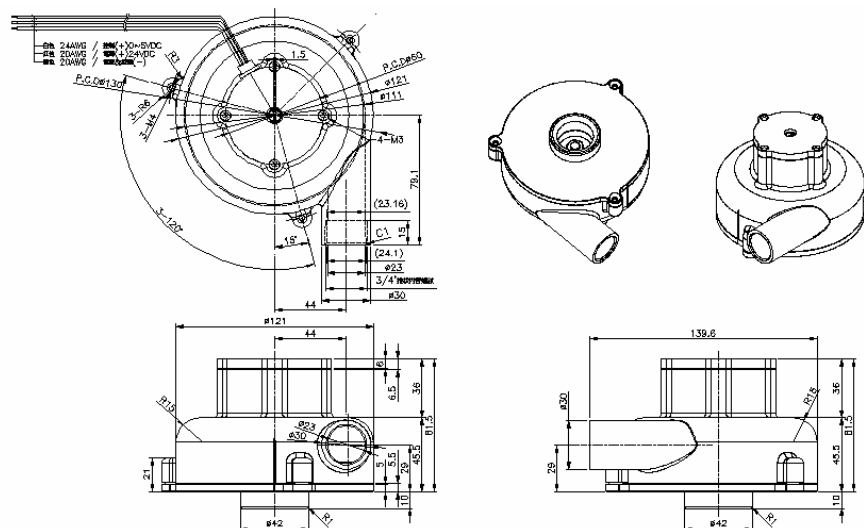
## Features

- High Speed Low Noise
- Minimal Temperature Rise
- High Pressure
- Hall Effect Sensors
- Integrated Motor Driver
- Customizations Available

## Application

- Respiration
- Air Bed
- Air Vest
- Fuel Cell Blower

## Dimensions



*【Above dimensions & below data are for your ref only. For detailed info or customized requirements, you are very welcome to inquire.】*

Model No.	Rated Voltage [ V ]	No-Load Speed [ r/min ]	No-Load Current [ A ]	Rated Speed [R.P.M.]	Rated Current [ A ]
PBD001-000	24	16700	0.8	15800	2.5
Model No.	Output [ Watt ]	Rotating Direction [ CW / CCW ]	Pressure Maximum (Sealed Pressure) [ CmH2O ]	Flow Rate Maximum ( Open Flow ) [ LPM ]	Weight [ g ]
PBD001-000	60	CCW	45	1000	960